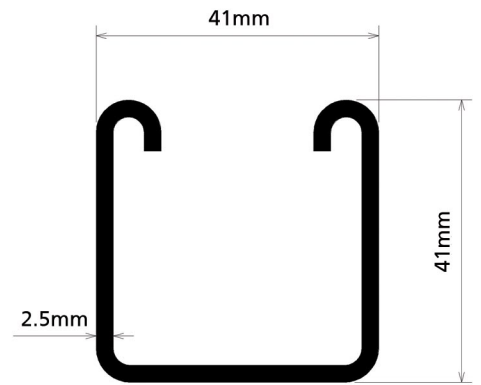
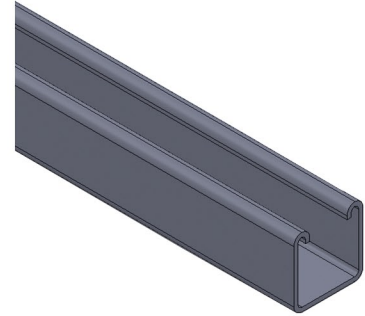
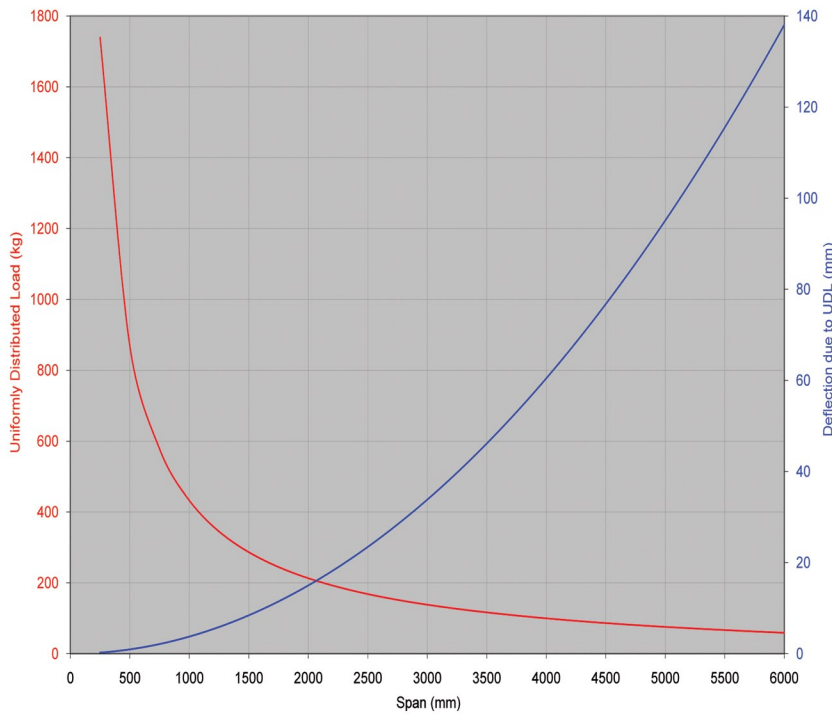


T3779 Plain 41x41x2.5 thk. (Mass 2.60kg/m)

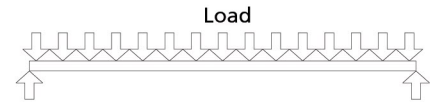
Beam Span (mm)	Ultimate Loading		Limit Def. Span/200		Limit Def. Span/360	
	Total Applied Load (kg)	Total Def. (mm)	Applied UDL (mm)	Total Def. (mm)	Applied UDL (mm)	Total Def. (mm)
250	1738.7	0.2				
500	868.5	0.9				
750	578.0	2.1			573.3	2.1
1000	432.5	3.7			321.0	2.8
1250	345.0	5.8			203.8	3.5
1500	286.5	8.4	255.0	7.5	139.9	4.2
1750	244.5	11.5	185.6	8.8	101.1	4.9
2000	212.9	15.0	140.4	10.0	75.7	5.6
2250	188.1	19.0	109.2	11.3	58.1	6.3
2500	168.2	23.4	86.7	12.5	45.3	6.9
2750	151.8	28.4	69.9	13.8	35.6	7.6
3000	138.1	33.8	56.9	15.0	28.1	8.3
3250	126.4	39.7	46.7	16.3	22.2	9.0
3500	116.3	46.1	38.4	17.5	17.3	9.7
3750	107.4	53.0	31.7	18.8	13.2	10.4
4000	99.6	60.4	26.0	20.0	9.8	11.1
4250	92.6	68.3	21.2	21.3	6.8	11.8
4500	86.4	76.7	17.0	22.5	4.3	12.5
4750	80.7	85.6	13.4	23.8	2.0	13.2
5000	75.6	95.1	10.3	25.0		
5250	70.9	105.0	7.5	26.3		
5500	66.5	115.5	4.9	27.5		
5750	62.5	126.5	2.6	28.8		
6000	58.8	138.0	0.6	30.0		



Load, Span & Deflection Graph



Loading Conditions:



TECHNICAL SPECIFICATION

Performance
Complies with BS EN6946:1988