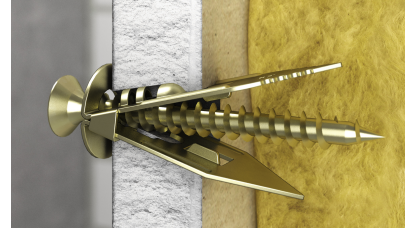


BIS GOLD®

fixing to plaster board 9 - 13 mm

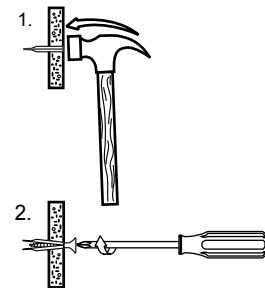


Made by **ARaymond**®



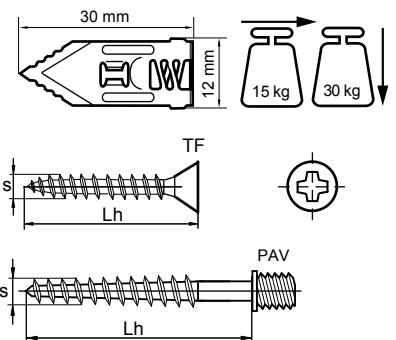
Features and benefits

- hammer-in plug
- for medium applications
- for chipboard screw (Ø 3,5 - 5,0 mm, min. length 30 mm)
- easy and quick to use
 - no drill
 - plug anchors itself when tightening the screw
 - does not rotate on screwing
 - removable with very low damage to the wall
- with serrated point for easier hammering-in
- with flat head
- with screw guide and female wood thread
- material: steel
- better fire resistance than plastic plugs
- surface treatment: RayGold (zinc plated, colored)



| Part No. | Model | s (mm) | Lh (mm) | Pack 1 | Pack 2 |
|-----------|-------------------|-----------|------------|--------|--------|
| 611 2 231 | Incl. screws (TF) | 4,0 | 30 | 25 | 250 |
| 611 2 331 | Incl. screws (TF) | 4,0 | 50 | 25 | 250 |
| 611 2 251 | Incl. screws (TF) | 4,0 | 30 | 50 | 500 |
| 611 2 263 | Incl. screws (TF) | 4,0 | 30 | 200 | 1.200 |
| 611 2 051 | - | - | - | 50 | 500 |
| 611 2 063 | - | - | - | 200 | 1.200 |

Max. allowed load in plaster board (safety margin 1:1.5).



Complementary
BIS starQuick® Clamps (Grey)