

# BIS Ball Swivel Hangers

hinging fixing point

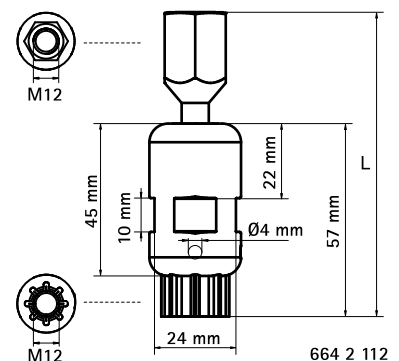
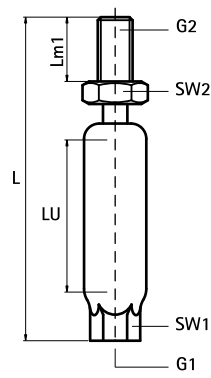
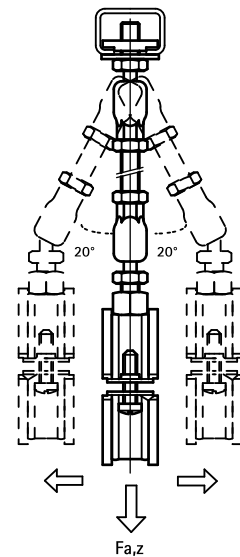


## Features and benefits

- recommended for metal pipes up to DN 50, plastic pipes up to DN 100
- material: steel
- zinc plated
- for fixing to slide nut or on clamps
- with inspection hole to check screw-in depth (attention: when the threaded rod is screwed-in too deep, the ball swivel is blocked)
- screw-in depth is continuously variable (see LU)

Part No.	L	LU (mm)	G1	G2	Lm1 (mm)	SW1 (mm)	SW2 (mm)	Fa,z (N)	Pack 1	Pack 2
664 2 008	49 mm	7	M8	M8	15	13	10	3.100	50	250
664 2 010	49 mm	7	M10	M10	15	13	12	3.100	50	250
664 4 010	64 mm	7	M10	M10	30	13	12	3.100	50	500
664 2 108	74 mm	32	M8	M8	15	13	10	3.100	25	250
664 2 110	74 mm	32	M10	M10	15	13	12	3.100	25	250
664 2 112	90 mm	-	M12/M12	-	-	-	-	5.000	10	100

Please note. Use always 2 ball swivel hangers (see application picture). The maximum length change that can be dealt with, depends on the fixing distance (ceiling - pipe). The height difference that occurs as a result, needs to be taken into consideration.



## Alternative

BIS RapidRail® Ball Swivel Hangers

## Complementary

BIS Fastenings