

SURFACE PATTERN CABLE TRUNKING ACCESSORIES

Product and Material Specification

Hot dipped galvanised sheet/coil steel (i.e. Pre-galvanised)

BS EN10142: 1991
Formerly BS2989

Finish

Self coloured galvanised
Fe PO2G Z275NAC
Class 3 Heavy Protection BS4678 Part 1

Product Standards

British Standard
BS 4678 Part 1 1978

Quality Management System

ISO 9001 : 2000

Product Information

All bends are supplied with all necessary fixings

Ordering Information

For **NON-GUSSET**

Add suffix NON-GUSSET

Example SA3290T NON-GUSSET

For **SECURITY FIX**

Add suffix -SEC

Example SA3290T-SEC

For **TWO EQUAL COMPARTMENTS**

Add suffix -2EC

Example SA6490T-2EC

For **THREE EQUAL COMPARTMENTS**

Add suffix -3EC or relevant amount of compartments

Example SA4390T-4EC

For **UNEQUAL COMPARTMENTS**

Add suffix -2UEC when two compartments required followed by the individual compartment widths

Example SA6490T-3UEC 100/25/25

NOTE

Minimum compartment width possible is 25mm
Top cover unequal compartment bends may become handed. An option sheet is available upon request

Ordering Information

For **SECURITY FIX**

Add suffix -SEC

Example SA3290I-SEC

For **TWO EQUAL COMPARTMENTS**

Add suffix -2EC

Example SA6490I 2EC

For **THREE EQUAL COMPARTMENTS**

Add suffix -3EC or relevant amount of compartments

Example SA4390I -4EC

For **UNEQUAL COMPARTMENTS**

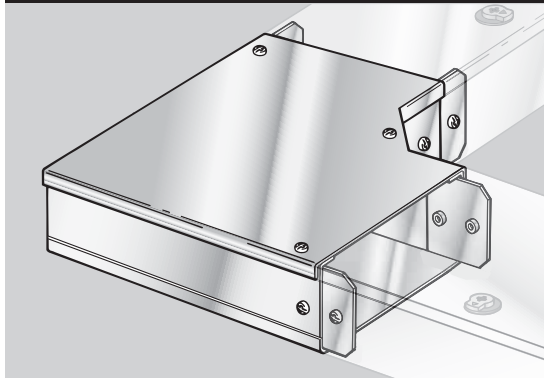
Add suffix -2UEC when two compartments required followed by the individual compartments widths

Example SA6490I-3UEC 100/25/25

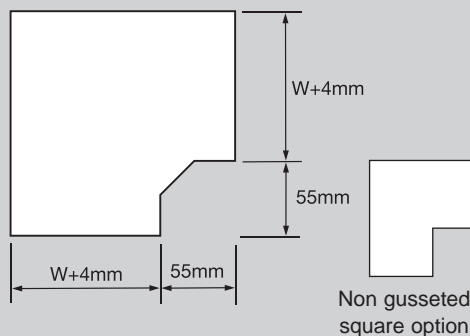
NOTE

Minimum compartment width possible is 25mm

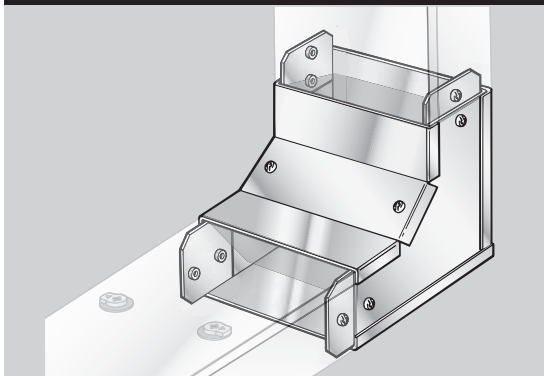
90 Degree Top Cover Bend



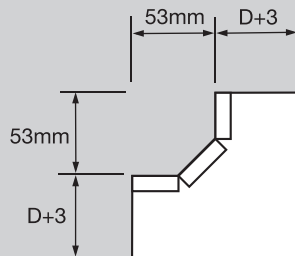
90 Degree Top Cover Bend - Dimensions



90 Degree Internal Cover Bend



90 Degree Internal Cover Bend-Dimensions



W mm	D mm	Weight Kgs/Mtr	Catalogue Reference
50	50	0.40	SA2290T
75	50	0.53	SA3290T
100	50	0.64	SA4290T
150	50	0.95	SA6290T
225	50	1.75	SA9290T
300	50	3.09	SA12290T
75	75	0.61	SA3390T
100	75	0.75	SA4390T
150	75	1.08	SA6390T
225	75	1.88	SA9390T
300	75	3.21	SA12390T
100	100	0.88	SA4490T
150	100	1.23	SA6490T
225	100	2.05	SA9490T
300	100	3.32	SA12490T
150	150	1.52	SA6690T
225	150	2.36	SA9690T
300	150	3.45	SA12690T
225	225	2.85	SA9990T
300	300	3.69	SA121290T

W mm	D mm	Weight Kgs/Mtr	Catalogue Reference
50	50	0.38	SA2290I
75	50	0.43	SA3290I
100	50	0.49	SA4290I
150	50	0.60	SA6290I
225	50	1.67	SA9290I
300	50	3.02	SA12290I
75	75	0.58	SA3390I
100	75	0.67	SA4390I
150	75	0.77	SA6390I
225	75	1.84	SA9390I
300	75	3.18	SA12390I
100	100	0.85	SA4490I
150	100	0.99	SA6490I
225	100	1.99	SA9490I
300	100	3.29	SA12490I
150	150	1.48	SA6690I
225	150	2.31	SA9690I
300	150	3.41	SA12690I
225	225	2.82	SA9990I
300	300	3.64	SA121290I