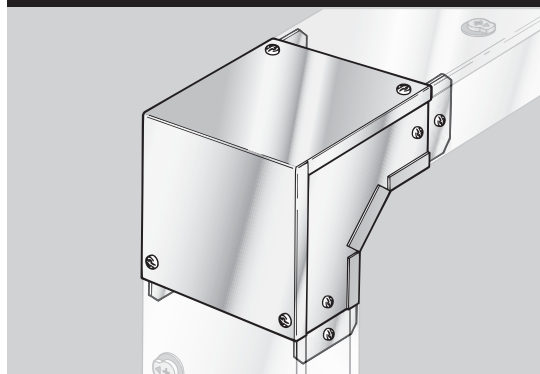


# SURFACE PATTERN CABLE TRUNKING ACCESSORIES

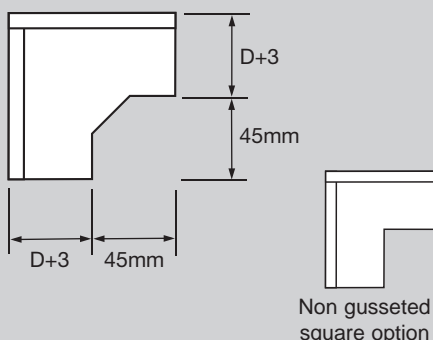
Catalogue Reference	W mm	D mm	Weight Kgs/Mtr
SA2290E	50	50	0.36
SA3290E	75	50	0.41
SA4290E	100	50	0.46
SA6290E	150	50	0.55
SA9290E	225	50	1.65
SA12290E	300	50	2.99
SA3390E	75	75	0.56
SA4390E	100	75	0.61
SA6390E	150	75	0.73
SA9390E	225	75	1.83
SA12390E	300	75	3.15
SA4490E	100	100	0.83
SA6490E	150	100	0.95
SA9490E	225	100	1.98
SA12490E	300	100	3.26
SA6690E	150	150	1.43
SA9690E	225	150	2.30
SA12690E	300	150	3.38
SA9990E	225	225	2.79
SA121290E	300	300	3.61

Catalogue Reference	W mm	D mm	Weight Kgs/Mtr
SA2245T	50	50	0.24
SA3245T	75	50	0.30
SA4245T	100	50	0.36
SA6245T	150	50	0.49
SA9245T	225	50	0.96
SA12245T	300	50	1.44
SA3345T	75	75	0.37
SA4345T	100	75	0.43
SA6345T	150	75	0.57
SA9345T	225	75	1.00
SA12345T	300	75	1.56
SA4445T	100	100	0.53
SA6445T	150	100	0.87
SA9445T	225	100	1.15
SA12445T	300	100	1.64
SA6645T	150	150	0.88
SA9645T	225	150	1.24
SA12645T	300	150	1.77
SA9945T	225	225	1.36
SA121245T	300	300	1.93

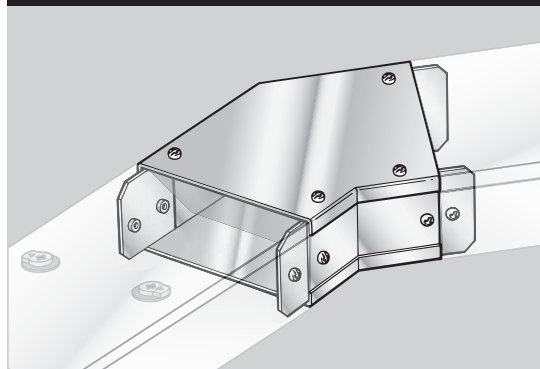
## 90 Degree External Cover Bend



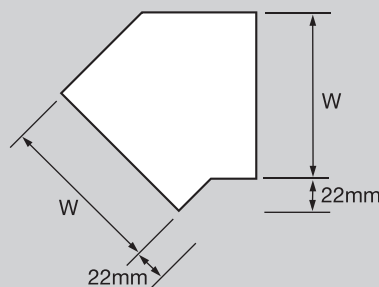
## 90 Degree External Cover Bend - Dimensions



## 45 Degree Top Cover Bend



## 45 Degree Top Cover Bend - Dimensions



### Product and Material Specification

Hot dipped galvanised sheet/coil steel (i.e. Pre-galvanised)

BS EN10142: 1991  
Formerly BS2989

### Finish

Self coloured galvanised  
Fe PO2G Z275NAC  
Class 3 Heavy Protection BS4678 Part 1

### Product Standards

British Standard  
BS 4678 Part 1 1978

### Quality Management System

ISO 9001 : 2000

### Product Information

All bends are supplied with all necessary fixings

### Ordering Information

#### For NON-GUSSET

Add suffix NON-GUSSET  
*Example* SA3290E NON-GUSSET

#### For SECURITY FIX

Add suffix -SEC  
*Example* SA3290E-SEC

#### For TWO EQUAL COMPARTMENTS

Add suffix -2EC  
*Example* SA6490E-2EC

#### For THREE EQUAL COMPARTMENTS

Add suffix -3EC or relevant amount of compartments

*Example* SA4390E-4EC

#### For UNEQUAL COMPARTMENTS

Add suffix -2UEC when two compartments required followed by the individual compartment widths

*Example* SA6490E-3UEC 100/25/25

#### NOTE

Minimum compartment width possible is 25mm

### Ordering Information

#### For SECURITY FIX

Add suffix -SEC  
*Example* SA3245T-SEC

#### For TWO EQUAL COMPARTMENTS

Add suffix -2EC  
*Example* SA6445T-2EC

#### For THREE EQUAL COMPARTMENTS

Add suffix -3EC or relevant amount of compartments

*Example* SA4345T-4EC

#### For UNEQUAL COMPARTMENTS

Add suffix -2UEC when two compartments required followed by the individual compartments widths

*Example* SA6445T-3UEC 100/25/25

#### NOTE

Minimum compartment width possible is 25mm

Top cover unequal compartment bends may become handed. An option sheet is available upon request.