

# SURFACE PATTERN CABLE TRUNKING ACCESSORIES

## Product and Material Specification

Hot dipped galvanised sheet/coil steel  
(i.e. **Pre-galvanised**)

BS EN10142: 1991  
Formerly BS2989

## Finish

Self coloured galvanised  
Fe PO2G Z275NAC  
Class 3 Heavy Protection BS4678 Part 1

## Product Standards

British Standard  
BS 4678 Part 1 1978

## Quality Management System

ISO 9001 : 2000

## Product Information

All bends are supplied with all necessary fixings

## Ordering Information

For **SECURITY FIX**

Add suffix -SEC

*Example SA3245I-SEC*

For **TWO EQUAL COMPARTMENTS**

Add suffix -2EC

*Example SA6445I-2EC*

For **THREE EQUAL COMPARTMENTS**

Add suffix -3EC or relevant amount of compartments

*Example SA345I-4EC*

For **UNEQUAL COMPARTMENTS**

Add suffix -2UEC when two compartments required followed by the individual compartment widths

*Example SA6445I-3UEC 100/25/25*

### NOTE

Minimum compartment width possible is 25mm

## Ordering Information

For **SECURITY FIX**

Add suffix -SEC

*Example SA3245E-SEC*

For **TWO EQUAL COMPARTMENTS**

Add suffix -2EC

*Example SA6445E-2EC*

For **THREE EQUAL COMPARTMENTS**

Add suffix -3EC or relevant amount of compartments

*Example SA3245E-4EC*

For **UNEQUAL COMPARTMENTS**

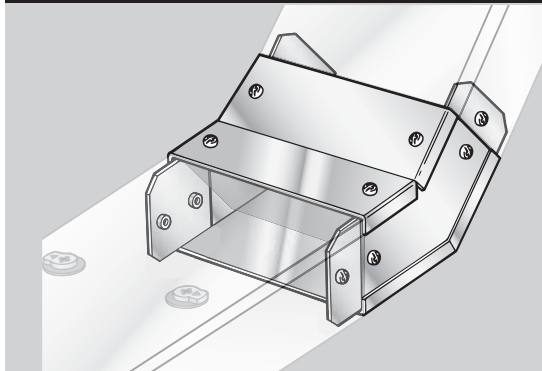
Add suffix -2UEC when two compartments required followed by the individual compartments widths

*Example SA6445E-3UEC 100/25/25*

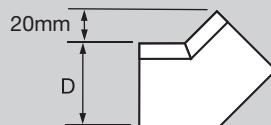
### NOTE

Minimum compartment width possible is 25mm

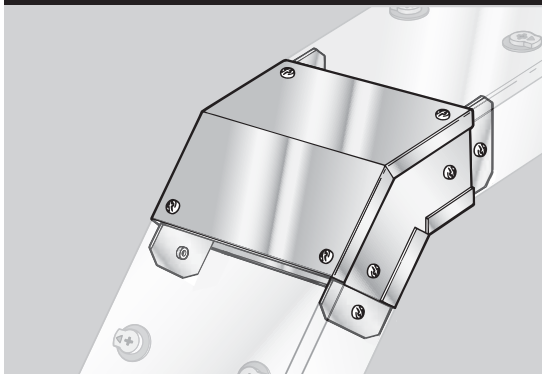
## 45 Degree Internal Cover Bend



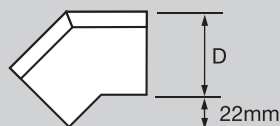
## 45 Degree Internal Cover Bend - Dimensions



## 45 Degree External Cover Bend



## 45 Degree External Cover Bend-Dimensions



W mm	D mm	Weight Kgs/Mtr	Catalogue Reference
50	50	0.24	SA2245I
75	50	0.27	SA3245I
100	50	0.30	SA4245I
150	50	0.35	SA6245I
225	50	1.03	SA9245I
300	50	2.39	SA12245I
75	75	0.36	SA3345I
100	75	0.39	SA43445I
150	75	0.45	SA6345I
225	75	1.23	SA9345I
300	75	2.48	SA12345I
100	100	0.52	SA4445I
150	100	0.59	SA6445I
225	100	1.44	SA9445I
300	100	2.70	SA12445I
150	150	0.85	SA6645I
225	150	1.82	SA9645I
300	150	2.87	SA12645I
225	225	2.19	SA9945I
300	300	3.00	SA121245I

W mm	D mm	Weight Kgs/Mtr	Catalogue Reference
50	50	0.25	SA2245E
75	50	0.28	SA3245E
100	50	0.31	SA4245E
150	50	0.37	SA6245E
225	50	1.03	SA9245E
300	50	2.38	SA12245E
75	75	0.37	SA3345E
100	75	0.40	SA4345E
150	75	0.47	SA6345E
225	75	1.22	SA9345E
300	75	2.47	SA12345E
100	100	0.53	SA4445E
150	100	0.61	SA6445E
225	100	1.43	SA9445E
300	100	2.69	SA12445E
150	150	0.90	SA6645E
225	150	1.81	SA9645E
300	150	2.86	SA12645E
225	225	2.18	SA9945E
300	300	3.01	SA121245E