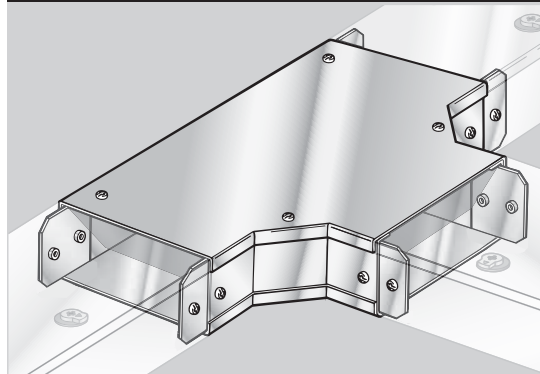


SURFACE PATTERN CABLE TRUNKING ACCESSORIES

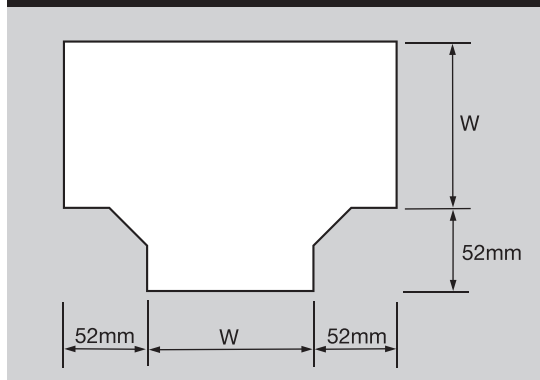
Catalogue Reference	W mm	D mm	Weight Kgs/Mtr
SA22TTC	50	50	0.52
SA32TTC	75	50	0.63
SA42TTC	100	50	0.77
SA62TTC	150	50	1.09
SA92TTC	225	50	1.85
SA122TTC	300	50	2.91
SA33TTC	75	75	0.76
SA43TTC	100	75	0.89
SA63TTC	150	75	1.23
SA93TTC	225	75	1.99
SA123TTC	300	75	3.11
SA44TTC	100	100	1.06
SA64TTC	150	100	1.40
SA94TTC	225	100	2.17
SA124TTC	300	100	3.48
SA66TTC	150	150	1.71
SA96TTC	225	150	2.38
SA126TTC	300	150	3.96
SA99TTC	225	225	2.79
SA1212TTC	300	300	4.23

Catalogue Reference	W mm	D mm	Weight Kgs/Mtr
SA22TIN	50	50	0.50
SA32TIN	75	50	0.56
SA42TIN	100	50	0.62
SA62TIN	150	50	0.74
SA92TIN	225	50	1.84
SA122TIN	300	50	2.89
SA33TIN	75	75	0.73
SA43TIN	100	75	0.80
SA63TIN	150	75	0.97
SA93TIN	225	75	1.97
SA123TIN	300	75	3.09
SA44TIN	100	100	1.02
SA64TIN	150	100	1.18
SA94TIN	225	100	2.15
SA124TIN	300	100	3.45
SA66TIN	150	150	1.73
SA96TIN	225	150	2.36
SA126TIN	300	150	3.94
SA99TIN	225	225	2.77
SA1212TIN	300	300	4.21

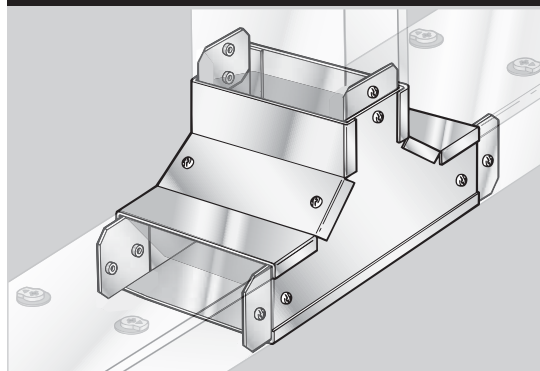
Tee Top Cover



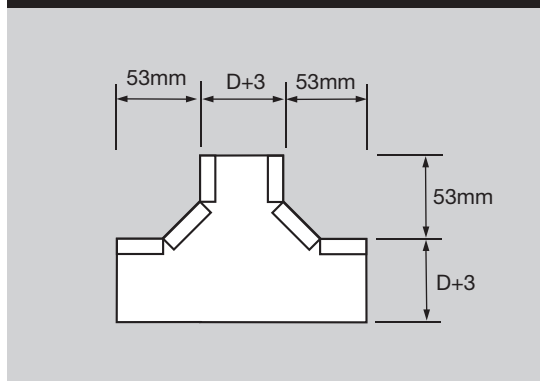
Tee Top Cover - Dimensions



Tee Internal Cover



Tee Internal Cover - Dimensions



Product and Material Specification

Hot dipped galvanised sheet/coil steel (i.e. **Pre-galvanised**)
BS EN10142: 1991 Formerly BS2989

Finish

Self coloured galvanised
Fe PO2G Z275NAC
Class 3 Heavy Protection BS4678 Part 1

Product Standards

British Standard
BS 4678 Part 1 1978

Quality Management System

ISO 9001 : 2000

Product Information

All bends are supplied with all necessary fixings

Ordering Information

For **NON-GUSSET**

Add suffix NON-GUSSET

Example SA32TTC NON-GUSSET

For **SECURITY FIX**

Add suffix -SEC

Example SA32TTC-SEC

For **TWO EQUAL COMPARTMENTS**

Add suffix -2EC

Example SA64TTC-2EC

For **THREE EQUAL COMPARTMENTS**
Add suffix -3EC or relevant amount of compartments

Example SA43TTC-4EC

For **UNEQUAL COMPARTMENTS**

Add suffix -2UEC when two compartments required followed by the individual compartment widths
Example SA64TTC-3UEC 100/25/25

NOTE

Minimum compartment width possible is 25mm.

Top cover unequal compartment bends may become handed. An option sheet is available upon request.

To maintain segregation in compartmented Tee Top Covers a flyover arrangement is factory fitted which reduces the cable capacity by half. If full capacity is required a double depth tee is required.

Ordering Information

For **NON-GUSSET**

Add suffix NON GUSSET

Example SA32TIN NON-GUSSET

For **SECURITY FIX**

Add suffix -SEC

Example SA32TIN-SEC

For **TWO EQUAL COMPARTMENTS**

Add suffix -2EC

Example SA64TIN-2EC

For **THREE EQUAL COMPARTMENTS**

Add suffix -3EC or relevant amount of compartments

Example SA43TIN-4EC

For **UNEQUAL COMPARTMENTS**

Add suffix -2UEC when two compartments required followed by the individual compartments widths
Example SA64TIN-3UEC 100/25/25

NOTE Minimum compartment width possible is 25mm