

SURFACE PATTERN CABLE TRUNKING ACCESSORIES

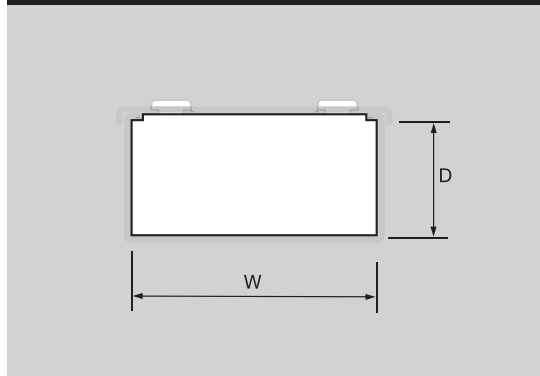
Catalogue Reference	W mm	D mm	Weight Kgs/Mtr
SA22SE	50	50	0.04
SA32SE	75	50	0.05
SA42SE	100	50	0.06
SA62SE	150	50	0.06
SA92SE	225	50	0.11
SA122SE	300	50	0.14
SA33SE	75	75	0.06
SA43SE	100	75	0.07
SA63SE	150	75	0.10
SA93SE	225	75	0.16
SA123SE	300	75	0.20
SA44SE	100	100	0.10
SA64SE	150	100	0.14
SA94SE	225	100	0.28
SA124SE	300	100	0.36
SA66SE	150	150	0.21
SA96SE	225	150	0.41
SA126SE	300	150	0.52
SA99SE	225	225	0.60
SA1212SE	300	300	1.02

Catalogue Reference	W mm	D mm	Weight Kgs/Mtr
SA2OF	50	50	0.04
SA2OF	75	50	0.04
SA2OF	100	50	0.04
SA2OF	150	50	0.04
SA2OF	225	50	0.04
SA2OF	300	50	0.04
SA3OF	75	75	0.05
SA3OF	100	75	0.05
SA3OF	150	75	0.05
SA3OF	225	75	0.05
SA3OF	300	75	0.05
SA4OF	100	100	0.08
SA4OF	150	100	0.08
SA4OF	225	100	0.08
SA4OF	300	100	0.08
SA6OF	150	150	0.12
SA6OF	225	150	0.12
SA6OF	300	150	0.12
SA9OF	225	225	0.22
SA12OF	300	300	0.28

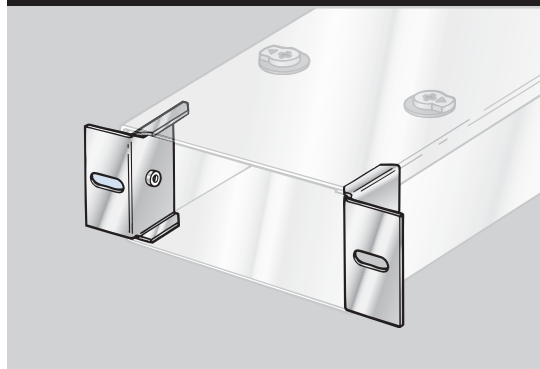
Stop End



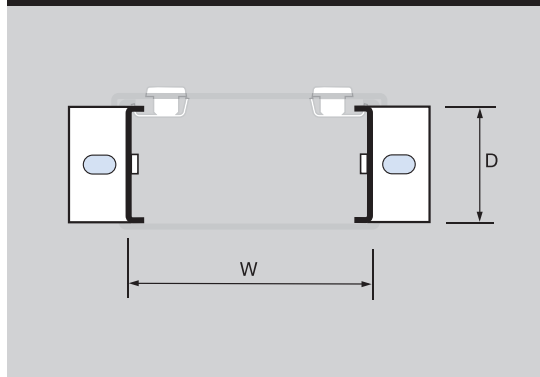
Stop End - Dimensions



Outlet Flange



Outlet Flange - Dimensions



Product and Material Specification

Hot dipped galvanised sheet/coil steel (i.e. **Pre-galvanised**)
BS EN10142: 1991 Formerly BS2989

Finish

Self coloured galvanised
Fe PO2G Z275NAC
Class 3 Heavy Protection BS4678 Part 1

Product Standards

British Standard
BS 4678 Part 1 1978

Quality Management System

ISO 9001 : 2000