

SURFACE PATTERN CABLE TRUNKING ACCESSORIES

Product and Material Specification

Hot dipped galvanised sheet/coil steel (i.e. **Pre-galvanised**)

BS EN10142: 1991
Formerly BS2989

Finish

Self coloured galvanised
Fe PO2G Z275NAC
Class 3 Heavy Protection BS4678 Part 1

Product Standards

British Standard BS 4678 Part 1 1978

Quality Management System

ISO 9001 : 2000

Ordering Information

When ordering reducers use the following method to create the catalogue reference:

Example

Primary Size ST44
Reduced Size ST22

Catalogue Reference SA44-22RE

For SECURITY FIX

Add suffix -SEC

Example SA32-22RE-SEC

For TWO EQUAL COMPARTMENTS

Add suffix -2EC

Example SA64-43RE-2EC

For THREE EQUAL COMPARTMENTS

Add suffix -3EC or relevant amount of compartments

Example SA66-64RE-4EC

For UNEQUAL COMPARTMENTS

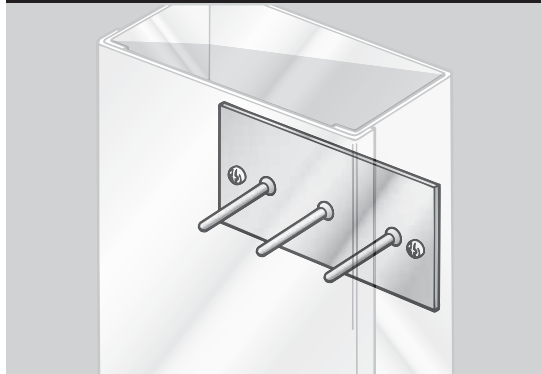
Add suffix 2UEC when two compartments required followed by the individual compartment widths

Example SA64-63RE-3UEC 100/25/25

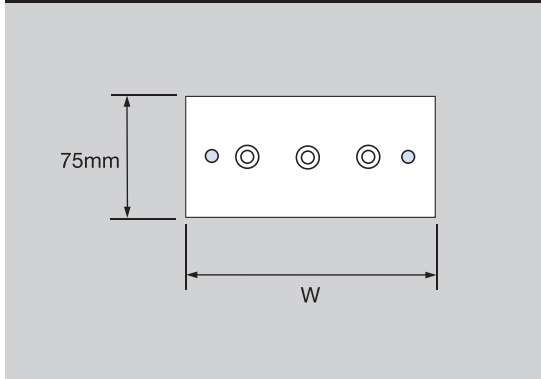
NOTE

Minimum compartment width possible is 25mm

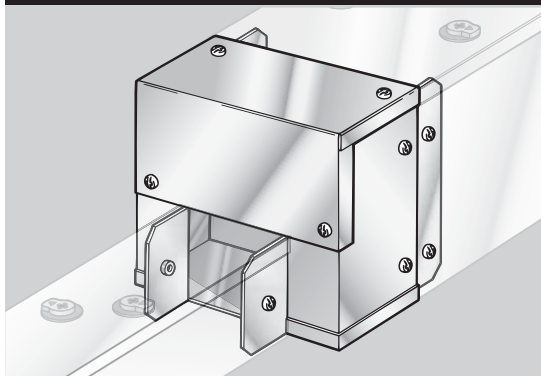
Pin Rack



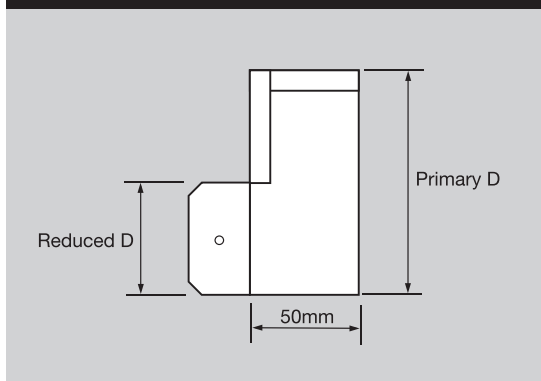
Pin Rack - Dimensions



Reducer



Reducer - Dimensions



W mm	D mm	Weight Kgs/Mtr	Catalogue Reference
50	50		SA22PR
75	50		SA32PR
100	50		SA42PR
150	50		SA62PR
225	50		SA92PR
300	50		SA122PR
75	75		SA33PR
100	75		SA43PR
150	75		SA63PR
225	75		SA93PR
300	75		SA123PR
100	100		SA44PR
150	100		SA64PR
225	100		SA94PR
300	100		SA124PR
150	150		SA66PR
225	150		SA96PR
300	150		SA126PR
225	225		SA99PR
300	300		SA1212PR

Primary W	Primary D	Reduced W	Reduced D	Catalogue Reference
75	75	50	50	SA33-22RE
100	100	50	50	SA44-22RE
100	100	75	50	SA44-32RE
100	100	75	75	SA44-33RE
150	150	50	50	SA66-22RE
150	150	75	50	SA66-32RE
150	150	100	50	SA66-42RE
150	150	75	75	SA66-33RE
150	150	100	75	SA66-43RE
150	150	100	100	SA66-44RE
225	225	75	75	SA99-33RE
225	225	100	100	SA99-44RE
225	225	150	150	SA99-66RE
300	300	100	100	SA1212-44RE
300	300	150	150	SA1212-66RE
300	300	225	225	SA1212-99RE