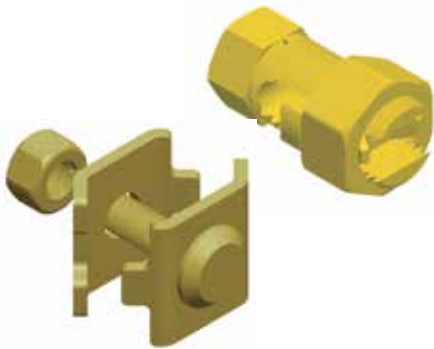

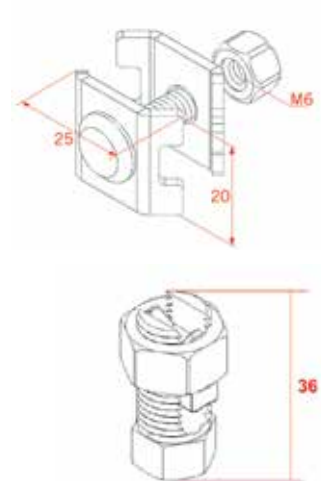


rejiband® Earth Terminal




rejiband® Earth Terminal		
Brass		
Cables (mm ²)	Reference	Pack Unit
16-35	68000032	20
35-50	68000033	20

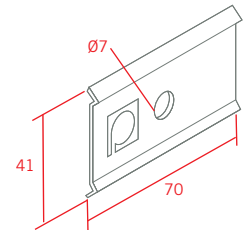
- Facilitates earthing of **rejiband®** trays.
- New design.
- Manufactured in brass.
- More economical. Less weight.



Side Joint Plate




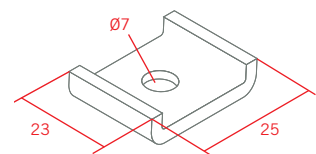
Side Joint Plate				
E.B.	E.G.	H.D.G.*	S.S. 316	
Reference	Reference	Reference	Reference	Pack Unit
64020041	64010041	64030041	64060041	50



Connector Plate




Connector Plate				
E.B.	E.G.	H.D.G.*	S.S. 316	
Reference	Reference	Reference	Reference	Pack Unit
64020062	64010062	64030062	64060062	50



Splice Plate

(Used to create bends etc.)



Splice Plate				
E.B.	E.G.	H.D.G.*	S.S. 316	
Reference	Reference	Reference	Reference	Pack Unit
67020053	67010053	67030047	67060053	10

- Suitable for joining straight sections of **rejiband®** as well as for creating bends and other accessories.

