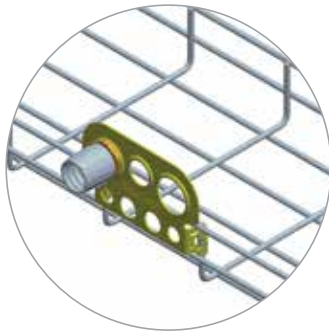


Conduit Gland Bracket



Conduit Gland Bracket		
E.B.	E.G.	Pack Unit
Reference	Reference	
67020040	67010040	10

- Press fit.
- Hole Sizes:
12mm
16mm
20mm
25mm
29mm
- Allows connection of flexible or rigid conduit.



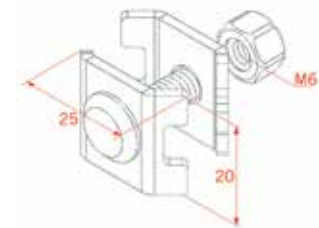
rejiband® Earth Terminal



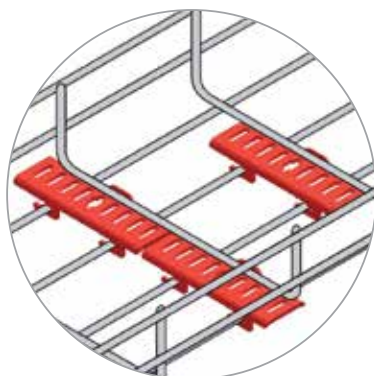
rejiband® Earth Terminal	
Brass	Pack Unit
Reference	
68000032	20

SUITABLE FOR CABLE SIZES 16-35 MM²

- Facilitates earthing of rejiband® trays.
- New design.
- Manufactured in brass.
- More economical. Less weight.



rejiband® Fixing Support



rejiband® Fixing Support	
ABS	Pack Unit
Reference	
68000010	20



SUITABLE FOR VOICE, DATA AND FIBRE OPTIC INSTALLATIONS

- Especially suitable for fixing cable with Rejifix.
- Economical and reusable.
- The supports allow for adjacent installation.
- It requires no bolts or other fastenings for installation.
- Manufactured from a fire retardant plastic material.

